



Review article

Targeting microglia with lentivirus and AAV: Recent advances and remaining challenges



Margaret E. Maes, Gloria Colombo¹, Rouven Schulz¹, Sandra Siegert*

Institute of Science and Technology (IST) Austria, Am Campus 1, 3400 Klosterneuburg, Austria

ARTICLE INFO

Keywords:

Microglia
Lentivirus
Adeno-associated virus (AAV)
In-vivo transduction
Brain

ABSTRACT

Microglia have emerged as a critical component of neurodegenerative diseases. Genetic manipulation of microglia can elucidate their functional impact in disease. In neuroscience, recombinant viruses such as lentiviruses and adeno-associated viruses (AAVs) have been successfully used to target various cell types in the brain, although effective transduction of microglia is rare. In this review, we provide a short background of lentiviruses and AAVs, and strategies for designing recombinant viral vectors. Then, we will summarize recent literature on successful microglial transductions *in vitro* and *in vivo*, and discuss the current challenges. Finally, we provide guidelines for reporting the efficiency and specificity of viral targeting in microglia, which will enable the microglial research community to assess and improve methodologies for future studies.

1. Introduction

Microglia, the immune cells resident in the brain, have emerged as a critical component in neurodegenerative diseases such as Alzheimer's and Parkinson's disease [1–3]. They express several disease-associated genes, therefore modulating these genes will provide important biological insights. Because microglial function depends on the neuronal surrounding, such studies would ideally be performed *in vivo*. In recent decades, recombinant DNA vectors have enabled scientists to direct gene transcription in a cell type-dependent manner. Transfection reagents or electroporation methods introduce DNA *in vitro* but are difficult to translate to an *in vivo* environment. Transgenic mouse models can partially overcome this but are a less desirable option, combining high costs and time commitment with unpredictable success.

Employing viruses as messengers of genetic cargo has become the method of choice for targeting cells *in vivo* because it enables cell-specific delivery of genetic material within a short time period. The two main components of a viral-based gene delivery system are: first, the packaging elements consisting of structural proteins and enzymes to generate a virus; and, second, the transfer vector encoding the gene-of-interest driven under a cell type-specific promoter. Both vector components are transfected into a cell line, but only the gene-of-interest encoded on the transfer vector is packaged into the viral particles (virions). This distinguishes replication-incompetent virions that transduce a host cell, from a replicative wildtype virus, which infects

host cells. To date, rabies, herpes simplex, adeno-, lenti-, and adeno-associated viruses (AAV) have been successfully used by the neuroscience community to visualize and optogenetically manipulate neuronal circuits *in vivo* [4,5]. For basic research, lentiviruses and AAVs have proven superior, offering efficient tissue transduction with no immediate immune response or cytotoxicity [5,6].

In this review, we explain the basic biology of lentiviruses and AAVs, and introduce strategies for generating viral vectors. We then review recent literature describing successful microglial transduction *in vitro* and *in vivo*, and outline the challenges for achieving viral efficiency and specificity in microglia. Finally, we provide a comparison between viral types and propose standardized measures for reporting microglial transduction experiments.

2. Lentivirus

Lentiviruses belong to the *Retroviridae* family and are capable of transducing both non-dividing and dividing cells, which distinguishes them from retroviruses [7–9]. The genome consists of two copies of (+)-single-stranded RNA, enclosed in a capsid with structural and enzymatic proteins. These include reverse transcriptase, which converts RNA into double-stranded (ds) DNA, and the DNA integrase, responsible for integrating the dsDNA into the host genome [10]. Together, these components constitute the viral core, which is further surrounded by an envelope generated during the budding process from

* Corresponding author.

E-mail address: sandra.siegert@ist.ac.at (S. Siegert).

¹ Contributed equally.

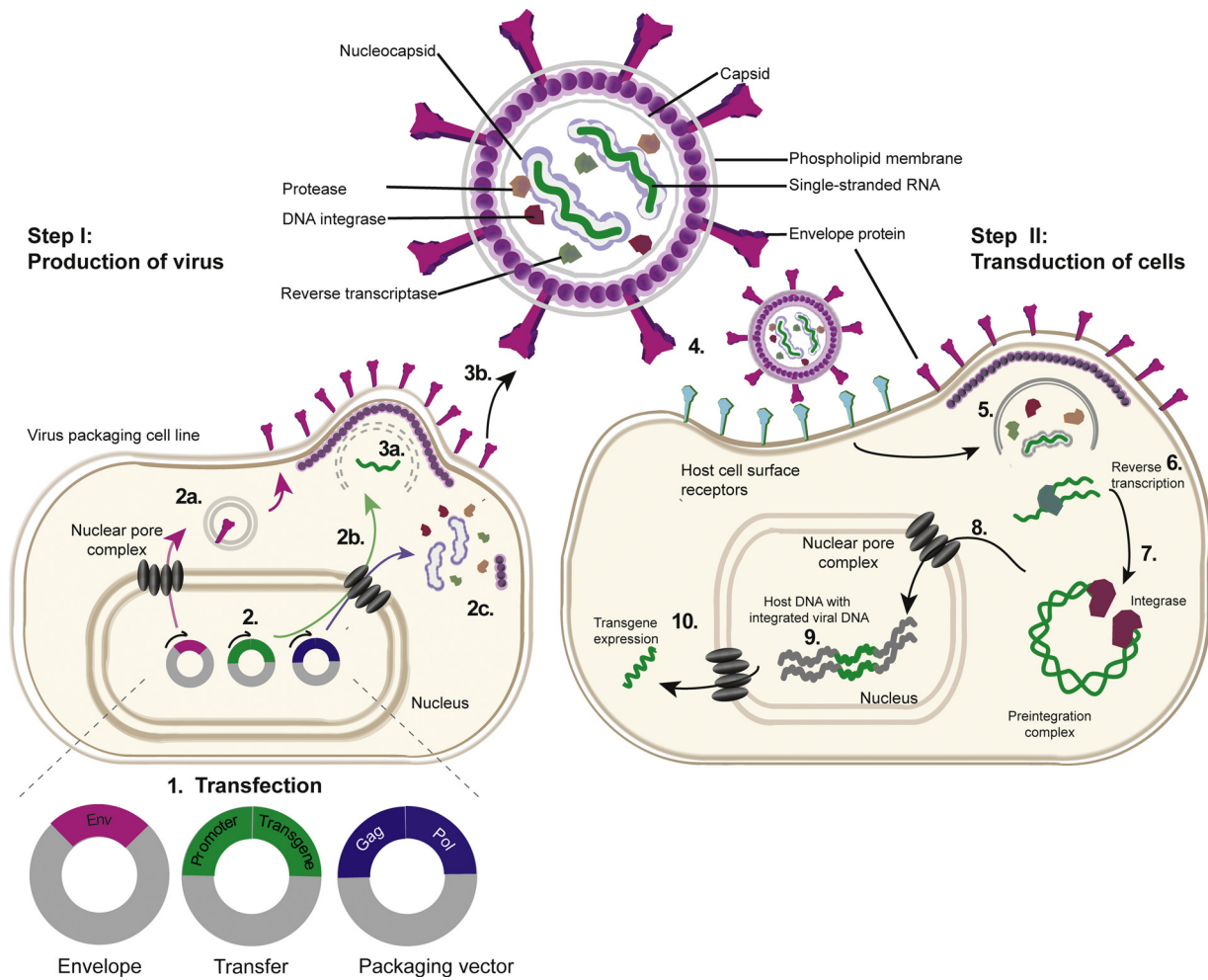


Fig. 1. Lentiviral production (Step I) and transduction (Step II). Virus packaging cell line is transfected with envelope, transfer, and packaging vectors (1). (2) The transcribed mRNAs for the envelope, transfer, and packaging vectors are translated into: (2a) viral envelope proteins that are sorted to the cell membrane via the endoplasmic reticulum; (2b) single-stranded RNA viral genome; (2c) viral structural proteins and enzymes, respectively. All three components are assembled into viral particles (3a), which bud from the host cell membrane (3b). (4) Viral particles attach to the host cell surface receptors using the envelope protein. (5) Fusion of viral with host plasma membrane releases structural, enzymatic proteins, and viral core. (6) Viral RNA is reverse transcribed to double-stranded DNA that then forms a pre-integration complex with the integrase (7), which passes the nuclear pore complex (8), and catalyzes viral DNA integration into the host genome (9). (10) The transfer vector promoter drives transgene expression.

the host cell membrane, which harbors the viral receptors (Fig. 1).

Human immunodeficiency virus type-1 (HIV-1) is the most prominent lentivirus whose genome is well described (Fig. 2a). Its genes *gag*, *pol*, and *env*, encode structural core proteins, reverse transcriptase and integrase, and envelope glycoproteins, respectively. *Tat* and *rev* are involved in viral replication: *tat* initiates viral genome transcription and is driven by the long terminal repeats; *rev* facilitates the nuclear export of the viral mRNA and is regulated by the *rev*-responsive element. The packaging signal (Ψ) is critical for incorporating the viral genome into the capsid. Additionally, the HIV-1 genome contains virulence factors *vif*, *vpr*, *vpu*, and *nef* that interfere with the host defense mechanism and are included in the assembled virion [10].

2.1. Design and production of lentiviral vectors

The HIV-1 genome serves as a starting point for assembling a virion containing the transfer vector. The first generation of lentiviral vectors encoded all the packaging elements on a single vector, which posed a high biosafety risk [7]. Removing the virulence factors and separating the envelope from the packaging vector improved safety and enhanced viral replication without interfering with the production of functional HIV-1-based virions (Fig. 2b) [11]. Moreover, the 3'LTR contained a U3

deletion to abolish promoter activity for viral genome replication, and to self-inactivate the vector without affecting the virion titer or transgene expression [12–14]. The third, and currently preferred, generation singled out *rev* from the packaging vector, and replaced *tat* with a constitutive promoter upstream of the transfer vector (Fig. 2c) [15].

The viral envelope glycoproteins determine the lentiviral target site on the host membrane [10]. Instead of using the HIV-1 envelope gp160, which would only target cells expressing the CD4 receptor, HIV-1 can be pseudotyped with envelope glycoproteins from other viral species such as the rabies or vesicular stomatitis viruses. This increases cellular tropism and virus stability [16]. Commonly, the HIV-1 viral core is pseudotyped with the vesicular stomatitis virus glycoprotein (VSV-G), which binds to the widely expressed low-density lipoprotein (LDL) receptor [17,18].

2.2. Lentiviral transduction of microglia

The first attempts to achieve lentiviral transduction of microglia were in primary microglial cultures [19–22]. Balcaitis et al. generated an HIV-1/VSV-G with a transfer vector encoding for GFP under the murine stem cell virus promoter [20]. Within 72 h after applying the virus to a mouse microglial culture, the authors found improved

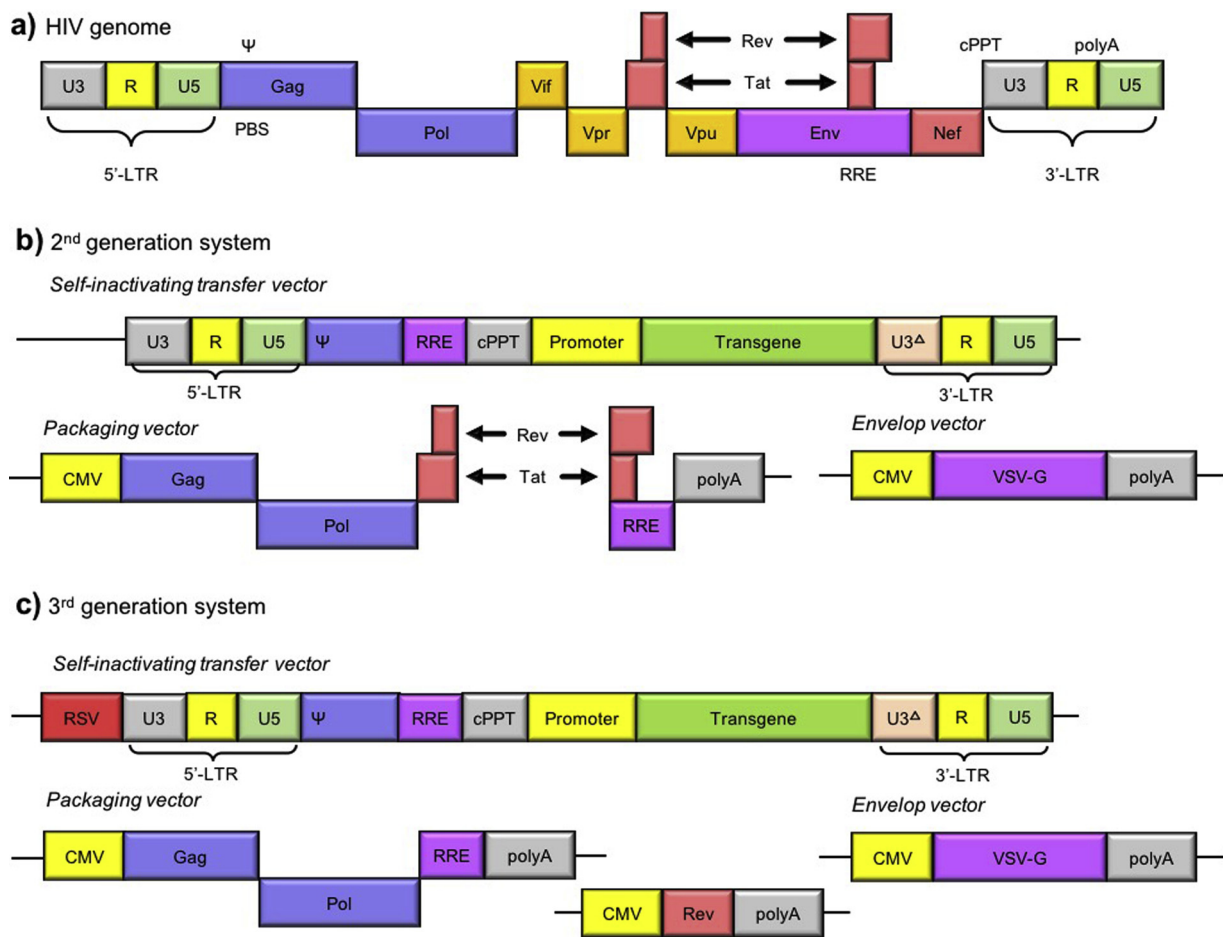


Fig. 2. Schematic of HIV genome in (a) proviral form, and lentiviral packaging system for the 2nd (b) and 3rd generation (c), which consists of transfer, packaging, and envelope vector.

CMV: cytomegalovirus. cPPT: central polypurine tract, which initiates second DNA strand synthesis. Env: envelope protein. Gag: capsid components. HIV: human immunodeficiency virus. LTR: long terminal repeat. PBS: primer binding site for host cell tRNAs to start reverse transcription. Pol: reverse transcriptase and integrase. ψ : packaging signal for nucleocapsid assembling. R: tat-binding region. Rev: facilitates nuclear RNA genome export. RRE: rev responsive element, which serves as binding site for the viral rev protein. RSV: tat-independent transcription of viral genome. Tat: initiates transcription of the viral genome. U3: RNA polymerase II promoter for transcription of the viral genome during replication. U3^A: mutated U3. Vif, Vpr, Vpu, Nef: virulence factors. Double arrows indicate splicing events.

transduction as the ratio of virus to target cells (MOI) increased. Jiang et al. reported similar transduction efficiencies of 25% with MOI = 2.5, 55% with MOI = 5, 10, or 20, and 99% with MOI = 50 or 100 in rat microglia [21]. Microglial morphology was indistinguishable between control and MOI = 5, but MOI > 50 resulted in apoptosis starting from day 4.

The first *in vivo* lentiviral microglial transduction study was by Åkerblom et al., who transduced microglia in the rat striatum using self-inactivating-HIV-1 VSV-G-pseudotyped virions (SIN-HIV-1/VSV-G) [23]. They designed a transfer vector that encoded GFP under the ubiquitous phosphoglycerate kinase (PGK) promoter (PGK-GFP). To increase microglial specificity, the authors took advantage of an observation that there is no microRNA-9 expression in microglia, but it is commonly found in other cell types. By introducing four tandem-repeats of the microRNA-9 binding site (4miR.T) in the 3'UTR of GFP, the endogenous microRNA-9 sequesters GFP mRNA in all cells except microglia. Indeed, the authors observed 75% of Iba⁺-microglia to be GFP⁺; however, the transduction efficiency was not quantified, and there was no field-of-view image of the striatum to support the high transduction rate reported [23].

In a follow-up study, Brawek et al. performed calcium imaging of microglia in the mouse somatosensory cortex [24]. The authors used the previously described SIN-HIV-1/VSV-G but substituted the cytomegalovirus (CMV) for the PGK promoter and the calcium sensor

Twitch-2B (CMV-Twitch-2B-4miR.T) for GFP. The transduction efficiency of Iba1⁺-microglia was 37% close to the injection site and 63% in the periphery. The authors also reported transduction of neurons and astrocytes near the epicenter and suspect that the endogenous microRNA-9 pool was insufficient to counteract the strong transgene transcription by the CMV promoter.

The latest study, by Nie et al., focused on how the toll-like receptors (TLR) 2/4 in microglia of the prefrontal cortex contribute to social avoidance behavior induced by repeated social defeat stress [25]. The authors generated a transfer vector based on the PGK-GFP-4miR.T construct and replaced the GFP with a double-floxed inverted open reading frame (DIO) encoding mCherry and RNAi for TLR2 and TLR4 (PGK-DIO-mCherry-TLR2/4RNAi). Upon Cre-mediated recombination of the DIO, mCherry and RNAi are expressed. The authors injected the virus into the Cx3cr1^{tm2.1(cre/ERT2)^{Litt}/WganJ} mouse model [26], which resulted in microglia-specific YFP and transgene expression after injection with tamoxifen [27]. After four weeks, microglial transduction efficiency was 25% and 45% for control and RNAi, respectively, and up to 90% specific for microglia. The discrepancy between efficiencies in control and RNAi transduced mice was not further addressed. This study shows that microglial specificity can be increased by combining Cre-mouse models with viral strategies.

In summary, all lentiviral *in vivo* studies thus far have taken advantage of the SIN-HIV-1/VSV-G system and adapted the promoter or

Table 1
Summary of studies using lentiviruses to transduce microglia *in vivo*.

LV generation	Virus coating	Promoter	Transgene	Injection site/ brain region	Species/ age	Transduction efficiency	Specificity	Validation method	Reference
3 rd generation SIN	VSV-G	PGK	GFP and microRNA-9 sponge	Striatum	Rat; adult	nd	75% microglia, some neurons	Iba1 colocalization	Akerblom et al. [23]
3 rd generation SIN	VSV-G	CMV	Twitch-2B and microRNA-9 sponge	Somatosensory cortex	Mice; 2-6 months	4-20% (% of Iba1 + cells)	Microglia, neurons, astrocytes; injection center: 36% microglia, periphery: 62% microglia	CD11b, Iba1 colocalization	Brawek et al. [24]
3 rd generation SIN	VSV-G	PGK	DIO mCherry and microRNA targeting Tlr2 and Tlr4	Medial prefrontal cortex	Mice; 6-12 weeks	20% control vector; 40% TLR microRNA vector (% of EYFP + cells)	80-90% microglia, some CD45 + monocytes	EYFP colocalization from Cx3Cr1Cr:eERT2-YFP reporter mouse	Nie et al. [25]

CD11b: Integrin α -M. CD45: protein tyrosine phosphatase, receptor type C. CMV: cytomegalovirus. DIO: double-flanked inverted orientation. EYFP: enhance yellow fluorescent protein. GFP: green fluorescent protein. Iba1: allograft inflammatory factor 1. LV: lentivirus. nd: not determined. PGK: phosphoglycerate kinase. SIN: self-inactivating. Tlr2/Tlr4: toll-like receptor 2/4. VSV-G: vesicular stomatitis virus glycoprotein. YFP: yellow fluorescent protein.

transgene cargo (Table 1).

3. Adeno-associated virus (AAV)

AAVs are part of the *Parvoviridae* family, and are small, non-enveloped viruses [28,29]. They were first identified as a contaminant of adenovirus-infected simian kidney cell culture [30]. Originally thought to be a defective virus, AAVs establish a latent infection and maintain an extra-chromosomal genome, where they can replicate autonomously (Fig. 3) [31].

The wildtype AAV genome consists of a single-stranded DNA: *rep* encodes for proteins involved in genome replication (*rep78*, *rep68*) and virus packaging (*rep52*, *rep40*), and *cap* provides the viral capsid proteins VP1-3 [32]. Inverted terminal repeats (ITRs) flank the genome and provide the origin of replication (Fig. 4a) [29,33,34]. For viral replication, AAV depends on a helper virus like adeno- or herpes simplex virus that encodes for enzymes critical for the lifecycle.

3.1. Design and production of AAV vectors

An estimated twelve naturally occurring AAV serotypes have been identified, of which AAV serotype 2 (AAV2) is commonly used in research [35–37]. To generate a recombinant AAV, a packaging cell line expressing the adenoviral gene *E1+* must be transfected with a packaging vector, which supplies the *rep* and *cap* genes, a transfer vector containing the transgene flanked by ITRs, and a helper vector encoding for *E2a*, *E4*, and *VA* (Fig. 4b). Importantly, the transgene size is limited to 4.5 kb because the AAV capsid is only 20 nm in diameter, which constrains the size of the genome [38]. AAV pseudotyping increases tropism and efficiency: For example, AAV2/10 contains the ITR and *rep* from AAV2 and *cap* from AAV10 [39–46].

The host cell replication machinery is required to synthesize the complementary DNA strand. This is a rate-limiting step in the AAV transduction process. Self-complementary AAVs (scAAVs) were developed to overcome this, although it further reduces the packaging capacity to approximately 2.2 kb, making it challenging to package a cell type-specific promoter and a transgene-of-interest [47,48].

3.2. AAV transduction of microglia

Bartlett et al. were the first to propose that AAVs are a viable option for targeting microglia *in vivo*. They injected Cy3-labeled AAV2/2 driving GFP expression under the CMV promoter into the inferior colliculus and hippocampus. Cy3 was detectable in microglia after 24 h, but microglia never expressed GFP, suggesting that the virus was either degraded or prevented from expressing the transgene [49].

In 2003, Cucchiari et al. sought to compare AAV2/2 and AAV2/5 transgene expression levels of RFP driven by promoters from the macrophage lineages. In primary rat microglial culture, the authors describe efficiencies of 25% for F4/80, 10% for CD68, and only one cell per field-of-view for CD11b. They then injected AAV2/5-F4/80-RFP into the rat striatum and observed F4/80-RFP⁺-microglia cells, along with other unidentified cell types [50].

To find a more effective serotype, Su et al. generated several pseudotyped AAVs using a CMV-GFP transfer, and packaging vectors with capsids 2, 5, 6, 8, and 9. In primary murine microglial cultures, AAV2/6 was the most effective for transducing microglia *in vitro* as reported by the greatest fold change in GFP mRNA [19].

Rosario et al. modified the AAV6 capsid (AAV6TM) through site-directed mutagenesis of two tyrosine residues to phenylalanine and a threonine to valine (Y731F/ Y705F/ T492V) [51]. These modifications prevent proteasomal degradation when AAV escapes the endosomal compartment [52–55], and has been shown to increase transduction efficiency in monocyte-derived dendritic cells [52–54]. The authors report a consistent 95% transduction efficiency for the scAAV2/6TM-F4/80-GFP and scAAV2/6TM-CD68-GFP in primary microglia or mixed glial

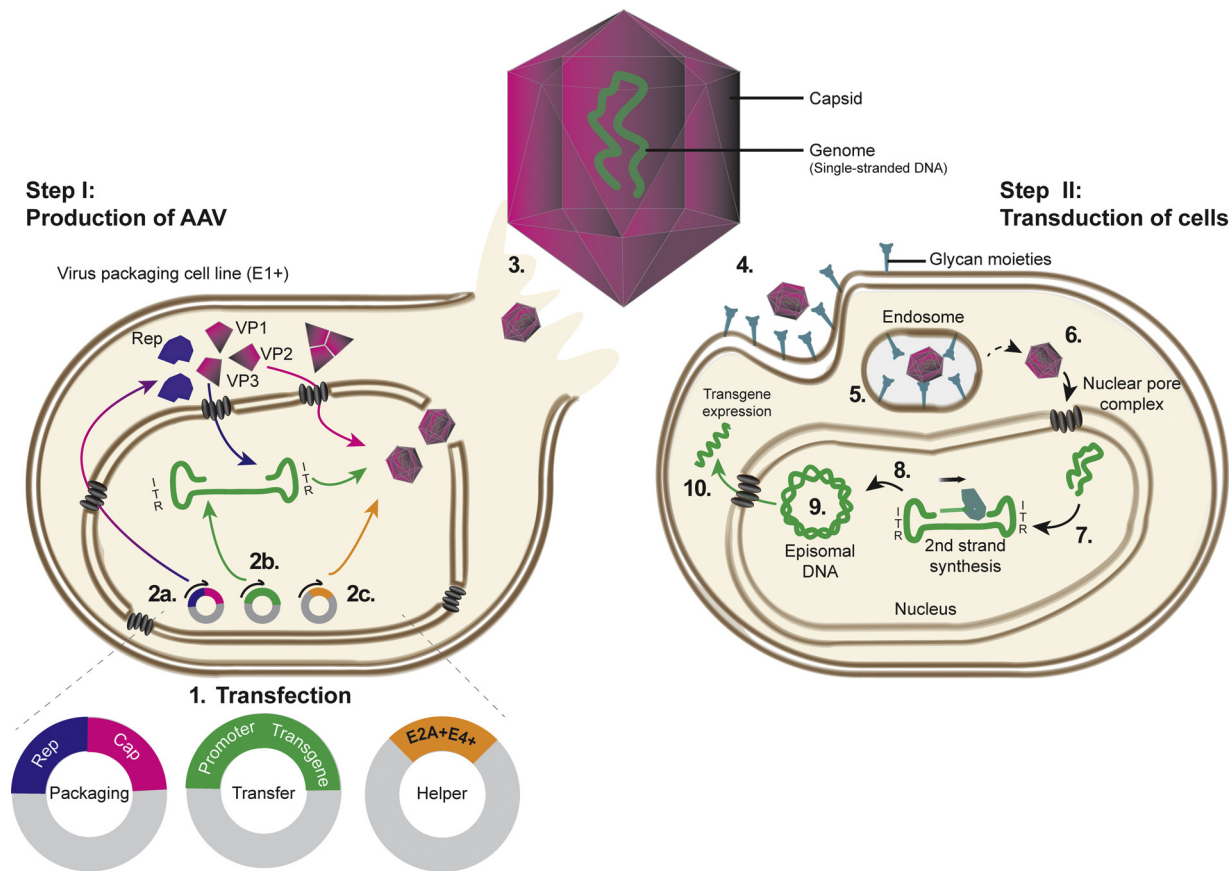


Fig. 3. Adeno-associated virus (AAV) production (Step I) and transduction (Step II). (1) Virus packaging cell line expressing the adenovirus *E1+* is transfected with packaging, transfer, and helper vectors. (2) Transcribed mRNA from packaging, transfer, and helper vectors are translated into (2a) viral capsid (VP1, 2, 3) and Rep, which replicates the viral genome from the ITR (2b). (2c) The helper proteins support final virus assembling. (3) Viral particles are released into the supernatant. (4) Viral particles attach through interaction of the capsid with host glycan moieties, which triggers endocytosis of the particle (5). AAVs escape the endosome by an unknown mechanism (6), and enter the nucleus via the nuclear core complex. (7) The viral genome is released from the capsid, the double-stranded genome synthesized (8), and an episomal circular DNA is formed (9). (10) The promoter of the transfer vector drives the expression of the transgene. ITR: inverted terminal repeats.

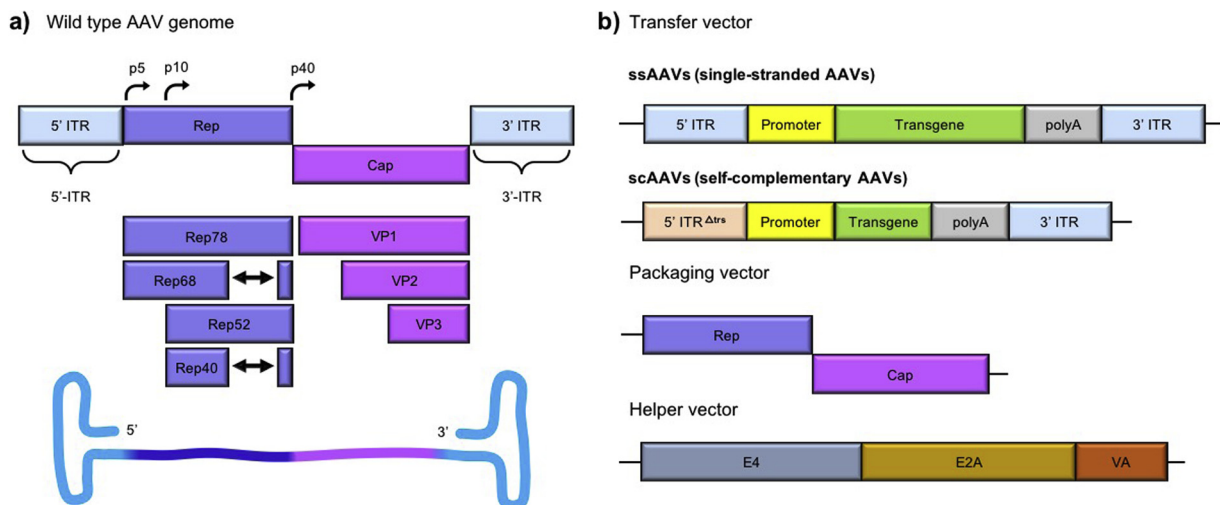


Fig. 4. Schematic of (a) wildtype AAV genome and (b) AAV viral vectors system consisting of transfer, packaging, and helper vectors. AAV: adeno-associated virus. Cap: open reading frames for proteins (VP1, VP2, VP3) which assemble into a capsid protein shell. E4, E2A, and VA: adenoviral genes necessary for AAV lifecycle. ITR: inverted terminal repeats, which form hairpin structures. ITR^{Δtrs}: on self-complementary genome, prevents rep-mediated nicking resulting in double-stranded viral genome. p5, p10, p40: promoter sequences to initiate transcription. Rep: open reading frames for proteins involved in genome replication (rep78, rep68) and packing into viral particles (rep52, rep40). trs: terminal resolution site. Double arrows indicate splicing events.

Table 2
Summary of studies using AAVs to transduce microglia *in vivo*.

Serotype/ Pseudotype	Virus capsid	Genome	Promoter	Transgene	Injection site/ brain region	Species/ age	Validation method	Specificity	Transduction efficiency	Reference
AAV2/6	AAV6 TM (Y731F/ Y705E/ T492V)	sc	CBA F4/80 CD68	GFP	Intracerebroventricular (P0) Hippocampus (8wks)	Mouse; P0, 8 weeks	Iba1 colocalization	Microglia, neurons Microglia	nd 'modest'	Rosario et al. [51]
AAV2/9	WT AAV9	ss	CD68	DREADD	Intrathecal	Rat; 10-12 weeks	Iba1 colocalization	Microglia	nd	Grace et al. [56,57]
AAV2/9 or AAV9*	WT AAV9	ss	CAG	GFP, ABCD1	Intravenous, Intracerebroventricular	Mouse; 8 weeks	Iba1 colocalization	Astrocytes, neurons, microglia	ICV: 3%; IV: 18%	Gong et al. [105]
AAV2/rh10	WT AAV/rh10	nd	CMV	GFP	Intraspinal	Rat; adult	ED1 (CD68) colocalization	Oligodendrocytes, macrophages, microglia	20% (% of ED1 + cells)	Petrovyan, et al. [41]
AAV2/9	WT AAV9	sc	CBA	GFP	Intravenous	Mouse; P1, 8 weeks	Isolectin B ₄ and tomato lectin colocalization with GFP + cells	Neurons, astrocytes, microglia	'occasional'	Foust et al. [61]
AAV5	WT AAV5	nd	F4/80	RFP	Intrastratial	Rat; nd	F4/80 colocalization	Microglia	nd	Cucchiariini et al. [50]

AAV: adeno-associated virus. ABCD1: ATP binding cassette subfamily D member 1. CAG: promoter consisting of CMV enhancer element, first exon and intron of chicken beta-actin gene, and the splice acceptor of rabbit beta-globin gene. CBA: chicken beta-actin promoter. CD68: cluster of differentiation 68. CMV: cytomegalovirus. DREADD: designer receptor exclusively activated by designer drugs. ED1: CD68. F4/80: EGF-like module-containing mucin-like hormone receptor-like 1. GFP: green fluorescent protein. ICV: intracerebroventricular injection. ITR: inverted terminal repeats. IV: intravenous injection. nd: not determined. P0: postnatal day 0. RFP: red fluorescence protein. sc: self-complementary. ss: single-stranded. wt: wildtype.

* AAV genome serotype not reported.

cultures, using quantitative real-time PCR. Iba⁺/GFP⁺ microglia were detectable with AAV2/6TM injected either into the ventricle of P0 pups or into the adult hippocampus. The authors quantified specificity, and emphasize in the text the exclusive labeling of microglia. However, the graph contradicts this statement, indicating a specificity of only 75% for F4/80 and 20% for CD68. In addition, they report a high efficiency *in vitro*, but the *in vivo* efficiency is not quantified. Overall, this study provides one of the first attempts to rationally engineer AAVs to improve microglial transduction *in vivo*.

The most recent study focused on manipulating microglia with DREADDs (Designer Receptor Exclusively Activated by a Designer Drug) to reverse pain response [56]. Grace et al. intrathecally transduced microglia in the spinal cord with AAV2/9 containing DREADD driven under the CD68 promoter. The authors had previously validated this strategy and shown that DREADDs colocalize with Iba1⁺ cells, but not with NeuN⁺ neurons or GFAP⁺ astrocytes [57]. Unfortunately, the high GFP background fluorescence levels make it difficult to evaluate this conclusion.

In summary, less than 20% AAV transduction efficiency can be achieved *in vivo* (Table 2), confirming that AAV transduction of microglia is challenging. This observation aligns with other publications that have focused on improving *in vivo* AAV transduction for other CNS cell types. Most approaches report a lack of microglial transduction upon different delivery strategies, including intrastratial injection [44], systemic delivery [58,59], or neonatal intracerebroventricular delivery [40,60]. Only a few studies describe minimal microglial transduction without further quantification [41,61]. Although AAVs seem to be the preferred option for targeting neurons, extensive research is still needed to improve *in vivo* transduction efficiency in microglia.

4. Challenges on the path to successful microglial transduction

In vivo manipulation is a prerequisite to deciphering functional interaction between microglia and the neuronal environment. While viral targeting strategies have been successful in neurons, microglia remain difficult to transduce. This could be due to their endogenous macrophage function to detect, engulf, and destroy pathogens. Some viruses can circumvent this defense mechanism, for example, HIV-1 can infect microglia in the brain. To reach the nervous system, they first infect monocytes and use them as a trojan horse to pass the blood brain barrier [62]. In the following section, we point out the cellular road blocks that might prevent successful microglial transduction, and will need future investigations. This will not only be relevant for improving viral targeting of microglia, but will also provide critical biological insights into host defense mechanisms.

4.1. Viral entry

Viruses exhibit high affinity for defined host cell receptors, providing access to the cell upon attachment. For example, the HIV-1 envelope glycoprotein gp160 binds the CD4 receptor and co-receptors Cxcr4 and Ccr5 [63], the latter two are transcribed in microglia [64,65]. Co-receptors such as the integrins Itgav and Itgb5 [66,67], hepatocyte growth factor receptor (c-MET) [68], and fibroblast growth factor receptor 1 (FGFR1) [69,70] have been implicated in AAV attachment and internalization, from which the integrins are expressed in microglia.

Therefore, the first step towards optimizing transduction is to screen for microglial receptors, which are targeted by lentiviral envelopes or AAV capsids. This would provide the building blocks for generating pseudotyped virions. To improve attachment of the microglia-trophic AAV2/6 and 2/9, the screening must also consider membrane glycans on the microglial surface. The icosahedral AAV6 capsid binds to the glycan moieties heparin sulfate proteoglycan (HSPG) and α 2-3 and α 2-6 N-linked sialic acid [51,71-73], while AAV9 binds terminal N-linked galactose [57,74]. Such knowledge would facilitate the

development of further targeted mutations of HSPG binding sites on the capsid, which has been shown to alter viral particle spread and efficiency in tissue tropism using AAV2/2 [44,75,76].

Although this strategy appears straightforward, a word of caution must be raised: microglia may elicit an unexpected response similar to macrophages. Macrophages express pattern recognition receptors (PRRs) such as toll-like receptors or sialic acid-binding immunoglobulin-type lectin 1 (Siglecl1). These PRRs specialize in recognizing pathogen-associated molecular patterns (PAMPs) like viral glycoprotein structures [77]. Once PRRs recognize PAMPs, they induce a type 1-interferon response, which converts macrophages to a pro-phagocytic state. This leads to release of pro-inflammatory cytokines and, eventually, destruction of the virus [78]. Whether these mechanisms are also found in microglia is still under investigation, but several studies have suggested parallels [79].

Thus far, it has been shown that microglia change their receptor expression when they are in a prophagocytic state [80,81]. The current viral brain delivery systems result in local tissue damage, which leads to microglial activation [82]. On the one hand, this could be beneficial for microglial transduction since changes in the receptor distribution could enhance viral binding. On the other hand, microglia might be locally alerted to foreign viral particles and activate their internal viral defense mechanism. To circumvent this, alternative viral delivery strategies should be investigated, such as peripheral injection in the tail vein [58] or nasal administration [83].

4.2. Viral host defense-escape mechanisms

Once the virus successfully enters the cell, the virus must control enzymes in the host cell to ensure viral replication. Host cells, however, have developed strategies to detect and counteract a viral invasion. Lentivirus packages critical enzymes within the viral core, enabling immediate reverse transcription and integration into the genome (Fig. 1). In addition, after shedding its envelope the wildtype lentivirus releases the virulence factors Vpx and Vif, which target the host restriction factors SAMHD1 and APOBEC3 that interfere with reverse transcription and modify the reverse-transcribed viral DNA, respectively [84,85]. These virulence factors have been removed from the lentiviral vector system for biosafety reasons (Fig. 2). It would be interesting to see whether microglia express SAMHD1 and APOBEC3, and whether partially restoring the virulence factors would increase microglial transduction efficiency. Alternatively, drugs that prevent SAMHD1 or APOBEC3 activation could be developed.

Specific host defense mechanisms against AAVs have not been described. AAVs enter the cell *via* the endosomal pathway, but have to escape from the endosome before its fusion with lysosomes (Fig. 3) [86–88]. When and how AAVs leave the early or late endosome is still debated. Similarly, the mechanism for AAV entry into the nucleus is not known [87,89]. Only 20% of AAV2 entering the cell reaches the nucleoplasm, suggesting that several unknown mechanisms exist that prevent nuclear import [90]. Several groups have shown AAV transduction efficiency can be enhanced *in vitro* by applying drugs like bafilomycin, which prevent endosomal acidification by inhibiting the proton pump [91,92]. However, such drugs cannot be used *in vivo* because they do not cross the blood-brain barrier, and cause severe side effects [93]. Overall, a better knowledge of the host inhibitory factors, as well as the viral pathway to the nucleus, will significantly improve microglial transduction strategies.

4.3. Microglia-specific transgene expression

Specificity is another challenge faced when transducing microglia because often, additional cells are transduced (Tables 1 and 2). Therefore, identifying alternative constitutively expressed microglia-specific promoters is required to optimize transgene expression. Until now, the research field has focused on promoters from the macrophage

lineage like CD11b, CD68, and F4/80, which also label monocytes, and show varied expression depending on the microglial activation state. For example, CD68 is more strongly expressed in proinflammatory microglia [94]. Now, with the availability of next-generation sequencing data [95–98], it should be possible to identify genes and their corresponding promoters that are constitutively and exclusively expressed in microglia.

An alternative strategy would be to use mouse models that express Cre in a defined cell type. The transfer vector would then include the promoter and a double-floxed inverted orientation (DIO) sequence which is inverted upon Cre activation [99]. The tamoxifen-inducible Cx3cr1^{CreERT2} mouse model has frequently been used to target microglia [100]. Administering tamoxifen any time after embryonic day E14.5 induces Cre recombinase activity in microglia, blood-derived macrophages, and monocytes [101]. Due to their rapid turnover, macrophages and monocytes will be replaced by non-recombined cells within one month, leaving microglia forming more than 90% the enriched recombined population [27,99,101–103]. Nie et al. were one of the first to combine the mouse model and DIO-expressing lentivirus to specifically target microglia [25]. They found high specificity, suggesting that this is a valuable strategy for studying effects in adult microglia.

5. Lentivirus vs AAV – what can we learn?

In this review, we have focused on microglial transduction using lentiviruses and AAVs, each posing advantages and disadvantages for this application. Both viruses are superior to all other viral vectors (*e.g.*, adeno- or pseudorabies virus) because they have low immunogenicity and stably express transgenes without inducing cell lysis [5,6]. The most pronounced differences are in the packaging size and host genome integration. Lentiviruses can carry up to 9 kb genomic DNA, whereas AAVs are restricted to 4.5 kb, which limits the ability to use cell-specific promoters. Lentiviruses also integrate into the host genome, which results in stable transgene expression after cell division. One caveat is that this integration occurs at random, and often in regions of actively transcribed genes, which might trigger mutagenesis. In contrast, the AAV genome remains predominantly episomal and shows only infrequent quasi-random integration [104]. Both viruses have standard laboratory production protocols, although AAV is biosafety level 1, and lentivirus is biosafety level 2.

We predict that addressing a combination of the aforementioned strategies will be essential to improve efficiency and specificity of microglial transduction for any viral strategy. Based on the current literature, lentiviral approaches appear to be superior to AAVs, even though only one vector system has been implemented. A cross-wise comparison is difficult due to the variation in reporting viral methods. To improve methods for microglial transduction, and enable reproducibility, it will be important to thoroughly report all parameters for viral vector design, production, transduction methods and experimental quantification. In addition, plasmids should be shared in repositories such as Addgene to provide fast access for the entire research community. We therefore propose a guideline for best practices in reporting microglial transduction studies to increase transparency across studies and to find the most effective strategy to target microglia for manipulation.

Guidelines for reporting viral transduction of microglia Viral vector design and production

- Which virus was used?
 - Generation
 - Serotype/pseudotype
 - Source of packaging and envelope vectors
- What does the transfer vector encode (promoter, regulatory

elements, transgene)?

- Which viral vector production protocol was used?
- What was the viral titer?

Viral transduction

- *in vitro*:
 - Which cell line?
 - If primary cell culture, which protocol?
- *in vivo*:
 - Which animal model?
 - Age, sex, strain background, genotype
 - Where was the injection site?
 - What anesthesia/painkiller treatment was used?

Determine viral efficiency and specificity

- Report efficiency: Cells which are transgene⁺ and Iba1⁺ against total number of Iba1⁺ cells
- Report specificity: Cells which are transgene⁺ and Iba1⁺ against total number of transgene⁺ cells
- Accompanied by a field-of-view image of the brain region under investigation, including detailed field-of-view of microglial morphology.

Competing interests

The authors declare no competing financial or non-financial interests.

Acknowledgement

This project received funding from the DOC Fellowship of the Austrian Academy of Sciences for R.S., European Union's Horizon 2020 research and innovation program under the Marie Skłodowska-Curie grant agreement No 665385 for G.C., and the European Research Council (ERC, grant agreement No 715571) for S.S.

References

- [1] M.W. Salter, B. Stevens, Microglia emerge as central players in brain disease, *Nat. Med.* 23 (2017) 1018–1027, <https://doi.org/10.1038/nm.4397>.
- [2] Y.S. Kim, T.H. Joh, Microglia, major player in the brain inflammation: their roles in the pathogenesis of Parkinson's disease, *Exp. Mol. Med.* 38 (2006) 333–347, <https://doi.org/10.1038/emm.2006.40>.
- [3] L. Rajendran, R.C. Paolicelli, Microglia-mediated synapse loss in Alzheimer's disease, *J. Neurosci.* 38 (2018) 2911–2919, <https://doi.org/10.1523/JNEUROSCI.1136-17.2017>.
- [4] L.C. Parr-Brownlie, C. Bosch-Bouju, L. Schoderboeck, R.J. Sizemore, W.C. Abraham, S.M. Hughes, Lentiviral vectors as tools to understand central nervous system biology in mammalian model organisms, *Front. Mol. Neurosci.* 8 (2015) 14, <https://doi.org/10.3389/fnmol.2015.00014>.
- [5] L.W. Enquist, J.P. Card, Recent advances in the use of neurotropic viruses for circuit analysis, *Curr. Opin. Neurobiol.* 13 (2003) 603–606, <https://doi.org/10.1016/j.conb.2003.08.001>.
- [6] L. Vannucci, M. Lai, F. Chiuppesi, L. Ceccherini-Nelli, M. Pistello, Viral vectors: a look back and ahead on gene transfer technology, *New Microbiol.* 36 (2013) 1–22, <https://doi.org/10.3389/fimmu.2016.00243>.
- [7] L. Naldini, U. Blömer, P. Gally, D. Ory, R. Mulligan, F.H. Gage, I.M. Verma, D. Trono, In vivo gene delivery and stable transduction of nondividing cells by a lentiviral vector, *Science* (80-) 272 (1996) 263–267, <https://doi.org/10.1126/science.272.5259.263>.
- [8] P.F. Lewis, M. Emerman, Passage through mitosis is required for oncoretroviruses but not for the human immunodeficiency virus, *J. Virol.* 68 (1994) 510–516, <http://www.ncbi.nlm.nih.gov/pubmed/8254763>.
- [9] P. Lewis, M. Hensel, M. Emerman, Human immunodeficiency virus infection of cells arrested in the cell cycle, *EMBO J.* 11 (1992) 3053–3058, <http://www.ncbi.nlm.nih.gov/pubmed/1322294>.
- [10] S. Flint, V. Racaniello, G. Rall, A. Skalka, L. Enquist, *Principles of Virology: Molecular Biology*, 4th edition, (2015).
- [11] R. Zufferey, D. Nagy, R.J. Mandel, L. Naldini, D. Trono, Multiply attenuated lentiviral vector achieves efficient gene delivery in vivo, *Nat. Biotechnol.* 15 (1997) 871–875, <https://doi.org/10.1038/nbt0997-871>.
- [12] S.F. Yu, T. von Rüden, P.W. Kantoff, C. Garber, M. Seiberg, U. Rütger, W.F. Anderson, E.F. Wagner, E. Gilboa, Self-inactivating retroviral vectors designed for transfer of whole genes into mammalian cells, *Proc. Natl. Acad. Sci. U. S. A.* 83 (1986) 3194–3198, <http://www.ncbi.nlm.nih.gov/pubmed/3458176>.
- [13] R. Zufferey, T. Dull, R.J. Mandel, A. Bukovsky, D. Quiroz, L. Naldini, D. Trono, Self-inactivating lentivirus vector for safe and efficient in vivo gene delivery, *J. Virol.* (1998) 99030895.
- [14] H. Miyoshi, U. Blömer, M. Takahashi, F.H. Gage, I.M. Verma, Development of a self-inactivating lentivirus vector, *J. Virol.* 72 (1998) 8150–8157, <http://www.ncbi.nlm.nih.gov/pubmed/9733856>.
- [15] T. Dull, R. Zufferey, M. Kelly, R.J. Mandel, M. Nguyen, D. Trono, L. Naldini, A third-generation lentivirus vector with a conditional packaging system, *J. Virol.* (1998) 98440501.
- [16] J. Cronin, X.-Y. Zhang, J. Reiser, Altering the tropism of lentiviral vectors through pseudotyping, *Curr. Gene Ther.* 5 (2005) 387–398, <https://doi.org/10.2174/1566523054546224>.
- [17] D. Finkelshtein, A. Werman, D. Novick, S. Barak, M. Rubinstein, LDL receptor and its family members serve as the cellular receptors for vesicular stomatitis virus, *Proc. Natl. Acad. Sci.* 110 (2013) 7306–7311, <https://doi.org/10.1073/pnas.1214441110>.
- [18] J.C. Burns, T. Friedmann, W. Driever, M. Burrascano, J.K. Yee, Vesicular stomatitis virus G glycoprotein pseudotyped retroviral vectors: concentration to very high titer and efficient gene transfer into mammalian and nonmammalian cells, *Proc. Natl. Acad. Sci.* (1993), <https://doi.org/10.1073/pnas.90.17.8033>.
- [19] W. Su, J. Kang, B. Sopher, J. Gillespie, M.S. Aloji, G.L. Odom, S. Hopkins, A. Case, D.B. Wang, J.S. Chamberlain, G.A. Garden, Recombinant adeno-associated viral (rAAV) vectors mediate efficient gene transduction in cultured neonatal and adult microglia, *J. Neurochem.* 136 (2016) 49–62, <https://doi.org/10.1111/jnc.13081>.
- [20] S. Balcaitis, J.R. Weinstein, S. Li, J.S. Chamberlain, T. Möller, Lentiviral transduction of microglial cells, *Glia* 50 (2005) 48–55, <https://doi.org/10.1002/glia.20146>.
- [21] X. Jiang, Y. Ni, T. Liu, M. Zhang, H. Ren, R. Jiang, X. Huang, G. Xu, CCR2 over-expression promotes the efficient recruitment of retinal microglia in vitro, *Mol. Vis.* 18 (2012) 2982–2992, <http://www.ncbi.nlm.nih.gov/pubmed/23288990>.
- [22] T. Masuda, M. Tsuda, H. Tozaki-Saitoh, K. Inoue, Lentiviral transduction of cultured microglia, *Methods Mol. Biol.* 1041 (2013) 63–67, https://doi.org/10.1007/978-1-62703-520-0_8.
- [23] M. Åkerblom, R. Sachdeva, L. Quintino, E.E. Wettergren, K.Z. Chapman, G. Manfre, O. Lindvall, C. Lundberg, J. Jakobsson, Visualization and genetic modification of resident brain microglia using lentiviral vectors regulated by microRNA-9, *Nat. Commun.* 4 (2013), <https://doi.org/10.1038/ncomms2801>.
- [24] B. Brawek, Y. Liang, D. Savitska, K. Li, N. Fomin-Thunemann, Y. Kovalchuk, E. Zirdum, J. Jakobsson, O. Garaschuk, A new approach for ratiometric in vivo calcium imaging of microglia, *Sci. Rep.* 7 (2017) 1–13, <https://doi.org/10.1038/s41598-017-05952-3>.
- [25] X. Nie, S. Kitaoka, K. Tanaka, E. Segi-Nishida, Y. Imoto, A. Ogawa, F. Nakano, A. Tomohiro, K. Nakayama, M. Taniguchi, Y. Mimori-Kiyosue, A. Kakizuka, S. Namuyoshi, T. Furuyashiki, The innate immune receptors TLR2/4 mediate repeated social defeat stress-induced social avoidance through prefrontal microglial activation, *Neuron* 99 (2018) 464–479, <https://doi.org/10.1016/j.neuron.2018.06.035> e7.
- [26] C.N. Parkhurst, G. Yang, I. Ninan, J.N. Savas, J.R. Yates, J.J. Lafaille, B.L. Hempstead, D.R. Littman, W.-B. Gan, W.-B. Gan, Microglia promote learning-dependent synapse formation through brain-derived neurotrophic factor, *Cell.* 155 (2013) 1596–1609, <https://doi.org/10.1016/j.cell.2013.11.030>.
- [27] Y. Wolf, S. Yona, K.-W. Kim, S. Jung, Microglia, seen from the CX3CR1 angle, *Front. Cell. Neurosci.* 7 (2013) 26, <https://doi.org/10.3389/fncel.2013.00026>.
- [28] G. Cukor, N.R. Blacklow, M.D. Hoggan, K.I. Berns, Biology of adeno-associated virus, *The Parvoviruses*, Springer, Berlin, Heidelberg, 1984, pp. 33–66, https://doi.org/10.1007/978-1-4684-8012-2_2.
- [29] K.I. Berns, Parvovirus replication, *Microbiol. Rev.* 54 (1990) 316–329, <http://www.ncbi.nlm.nih.gov/pubmed/2215424>.
- [30] R.W. Atchison, B.C. Casto, W.M. Hammon, Adenovirus-associated defective virus particles, *Science* (80-) 149 (1965) 754–755, <https://doi.org/10.1126/science.149.3685.754>.
- [31] B.C. Schnepp, R.L. Jensen, C.-L. Chen, P.R. Johnson, K.R. Clark, Characterization of adeno-associated virus genomes isolated from human tissues, *J. Virol.* 79 (2005) 14793–14803, <https://doi.org/10.1128/JVI.79.23.14793-14803.2005>.
- [32] S. Große, M. Penaud-Budloo, A.-K. Herrmann, K. Börner, J. Fakhiri, V. Laketa, C. Krämer, E. Wiedtke, M. Gunkel, L. Ménard, E. Ayuso, D. Grimm, Relevance of assembly-activating protein for Adeno-associated virus vector production and capsid protein stability in mammalian and insect cells, *J. Virol.* 91 (2017), <https://doi.org/10.1128/JVI.01198-17> JVI.01198-17.
- [33] M.D. Weitzman, R.M. Linden, Adeno-associated virus biology, *Methods Mol. Biol.* 807 (2011) 1–23, https://doi.org/10.1007/978-1-61779-370-7_1.
- [34] R.M. Linden, P. Ward, C. Giraud, E. Winocour, K.I. Berns, Site-specific integration by adeno-associated virus, *Proc. Natl. Acad. Sci.* 93 (1996) 11288–11294, <https://doi.org/10.1073/pnas.93.21.11288>.
- [35] Z. Wu, A. Asokan, R.J. Samulski, Adeno-associated virus serotypes: vector toolkit for human gene therapy, *Mol. Ther.* 14 (2006) 316–327, <https://doi.org/10.1016/J.YMTHE.2006.05.009>.
- [36] C.N. Bedbrook, B.E. Deverman, V. Gradinaru, Viral strategies for targeting the central and peripheral nervous systems, *Annu. Rev. Neurosci.* 41 (2018) 323–348, <https://doi.org/10.1146/annurev-neuro-080317-062048>.
- [37] M.A. Vance, A. Mitchell, R.J. Samulski, A.A.V. Biology, Infectivity and therapeutic use from bench to clinic, *Gene Ther. - Princ. Challenges, InTech* (2015), <https://doi.org/10.5772/61988>.

- [38] Z. Wu, H. Yang, P. Colosi, Effect of genome size on AAV vector packaging, *Mol. Ther.* 18 (2010) 80–86, <https://doi.org/10.1038/mt.2009.255>.
- [39] D.F. Aschauer, S. Kreuz, S. Rumpel, Analysis of Transduction Efficiency, Tropism and Axonal Transport of AAV Serotypes 1, 2, 5, 6, 8 and 9 in the Mouse Brain, *PLoS One* 8 (2013) e76310, <https://doi.org/10.1371/journal.pone.0076310>.
- [40] S.L. Hammond, A.N. Leek, E.H. Richman, R.B. Tjalkens, Cellular selectivity of AAV serotypes for gene delivery in neurons and astrocytes by neonatal intracerebroventricular injection, *PLoS One* 12 (2017) e0188830, <https://doi.org/10.1371/journal.pone.0188830>.
- [41] H.A. Petrosyan, V. Alessi, V. Singh, A.S. Hunanyan, J.M. Levine, V.L. Arvanian, Transduction efficiency of neurons and glial cells by AAV-1, -5, -9, -rh10 and -hu11 serotypes in rat spinal cord following contusion injury, *Gene Ther.* 21 (2014) 991–1000, <https://doi.org/10.1038/gt.2014.74>.
- [42] C. Zincarelli, S. Soltys, G. Rengo, J.E. Rabinowitz, Analysis of AAV serotypes 1–9 mediated gene expression and tropism in mice after systemic injection, *Mol. Ther.* 16 (2008) 1073–1080, <https://doi.org/10.1038/mt.2008.76>.
- [43] C. Burger, O.S. Gorbatyuk, M.J. Velardo, C.S. Peden, P. Williams, S. Zolotukhin, P.J. Reier, R.J. Mandel, N. Muzyczka, Recombinant AAV viral vectors pseudotyped with viral capsids from serotypes 1, 2, and 5 display differential efficiency and cell tropism after delivery to different regions of the central nervous system, *Mol. Ther.* 10 (2004) 302–317, <https://doi.org/10.1016/j.ymthe.2004.05.024>.
- [44] N.M. Kanaan, R.C. Sellnow, S.L. Boye, B. Coberly, A. Bennett, M. Agbandje-McKenna, C.E. Sortwell, W.W. Hauswirth, S.E. Boye, F.P. Manfredsson, Rationally engineered AAV capsids improve transduction and volumetric spread in the CNS, *Mol. Ther. - Nucleic Acids* 8 (2017) 184–197, <https://doi.org/10.1016/j.omtn.2017.06.011>.
- [45] S.R. Choudhury, A.F. Harris, D.J. Cabral, A.M. Keeler, E. Sapp, J.S. Ferreira, H.L. Gray-Edwards, J.A. Johnson, A.K. Johnson, Q. Su, L. Stoica, M. DiFiglia, N. Aronin, D.R. Martin, G. Gao, M. Sena-Estevés, Widespread central nervous system gene transfer and silencing after systemic delivery of novel AAV-AS vector, *Mol. Ther.* 24 (2016) 726–735, <https://doi.org/10.1038/mt.2015.231>.
- [46] C.N. Cearley, J.H. Wolfe, Transduction characteristics of adeno-associated virus vectors expressing cap serotypes 7, 8, 9, and Rh10 in the mouse brain, *Mol. Ther.* 13 (2006) 528–537, <https://doi.org/10.1016/j.ymthe.2005.11.015>.
- [47] D.M. McCarty, Self-complementary AAV vectors; advances and applications, *Mol. Ther.* 16 (2008) 1648–1656, <https://doi.org/10.1016/j.asoc.2016.08.039>.
- [48] J. Wu, W. Zhao, L. Zhong, Z. Han, B. Li, W. Ma, K.A. Weigel-Kelley, K.H. Warrington, A. Srivastava, Self-complementary recombinant adeno-associated viral vectors: packaging capacity and the role of rep proteins in vector purity, *Hum. Gene Ther.* 18 (2007) 171–182, <https://doi.org/10.1089/hum.2006.088>.
- [49] J.S. Bartlett, R.J. Samulski, T.J. McCown, Selective and rapid uptake of adeno-associated virus type 2 in brain, *Hum. Gene Ther.* 9 (1998) 1181–1186, <https://doi.org/10.1089/hum.1998.9.8.1181>.
- [50] M. Cucchiari, X.L. Ren, G. Perides, E.F. Terwilliger, Selective gene expression in brain microglia mediated via adeno-associated virus type 2 and type 5 vectors, *Gene Ther.* 10 (2003) 657–667, <https://doi.org/10.1038/sj.gt.3301925>.
- [51] A.M. Rosario, P.E. Cruz, C. Ceballos-Diaz, M.R. Strickland, Z. Siemieni, M. Pardo, K.-L. Schob, A. Li, G.V. Aslanidi, A. Srivastava, T.E. Golde, P. Chakrabarty, Microglia-specific targeting by novel capsid-modified AAV6 vectors, *Mol. Ther. - Methods Clin. Dev.* 3 (2016) 16026, <https://doi.org/10.1038/mtm.2016.26>.
- [52] J. Pandya, L. Ortiz, C. Ling, A.E. Rivers, G. Aslanidi, Rationally designed capsid and transgene cassette of AAV6 vectors for dendritic cell-based cancer immunotherapy, *Immunol. Cell Biol.* 92 (2014) 116–123, <https://doi.org/10.1038/icb.2013.74>.
- [53] G.V. Aslanidi, A.E. Rivers, L. Ortiz, L. Govindasamy, C. Ling, G.R. Jayandharan, S. Zolotukhin, M. Agbandje-McKenna, A. Srivastava, High-efficiency transduction of human monocyte-derived dendritic cells by capsid-modified recombinant AAV2 vectors, *Vaccine* 30 (2012) 3908–3917, <https://doi.org/10.1016/j.vaccine.2012.03.079>.
- [54] J.E. Ussher, J.A. Taylor, Optimized transduction of human monocyte-derived dendritic cells by recombinant adeno-associated virus serotype 6, *Hum. Gene Ther.* 21 (2010) 1675–1686, <https://doi.org/10.1089/hum.2010.087>.
- [55] L. Zhong, B. Li, C.S. Mah, L. Govindasamy, M. Agbandje-McKenna, M. Cooper, R.W. Herzog, I. Zolotukhin, K.H. Warrington, K.A. Weigel-Van Aken, J.A. Hobbs, S. Zolotukhin, N. Muzyczka, A. Srivastava, Next generation of adeno-associated virus 2 vectors: point mutations in tyrosines lead to high-efficiency transduction at lower doses, *Proc. Natl. Acad. Sci. U. S. A.* 105 (2008) 7827–7832, <https://doi.org/10.1073/pnas.0802866105>.
- [56] P.M. Grace, X. Wang, K.A. Strand, M.V. Baratta, Y. Zhang, E.L. Galer, H. Yin, S.F. Maier, L.R. Watkins, DREADDED microglia in pain: implications for spinal inflammatory signaling in male rats, *Exp. Neurol.* 304 (2018) 125–131, <https://doi.org/10.1016/j.expneurol.2018.03.005>.
- [57] P.M. Grace, K.A. Strand, E.L. Galer, D.J. Urban, X. Wang, M.V. Baratta, T.J. Fabisiak, N.D. Anderson, K. Cheng, L.I. Greene, D. Berkelhammer, Y. Zhang, A.L. Ellis, H.H. Yin, S. Campeau, K.C. Rice, B.L. Roth, S.F. Maier, L.R. Watkins, Morphine paradoxically prolongs neuropathic pain in rats by amplifying spinal NLRP3 inflammasome activation, *Proc. Natl. Acad. Sci.* 113 (2016) E3441–E3450, <https://doi.org/10.1073/pnas.1602070113>.
- [58] B.E. Deverman, P.L. Pravdo, B.P. Simpson, S.R. Kumar, K.Y. Chan, A. Banerjee, W.L. Wu, B. Yang, N. Huber, S.P. Pasca, V. Gradinaru, Cre-dependent selection yields AAV variants for widespread gene transfer to the adult brain, *Nat. Biotechnol.* 34 (2016) 204–209, <https://doi.org/10.1038/nbt.3440>.
- [59] S.J. Gray, V. Matagne, L. Bachaboina, S. Yadav, S.R. Ojeda, R.J. Samulski, Preclinical differences of intravascular aav9 delivery to neurons and glia: a comparative study of adult mice and nonhuman primates, *Mol. Ther.* 19 (2011) 1058–1069, <https://doi.org/10.1038/mt.2011.72>.
- [60] P. Chakrabarty, A. Rosario, P. Cruz, Z. Siemieni, C. Ceballos-Diaz, K. Crosby, K. Jansen, D.R. Borchelt, J.Y. Kim, J.L. Jankowsky, T.E. Golde, Y. Levites, Capsid serotype and timing of injection determines AAV transduction in the neonatal mouse brain, *PLoS One* 8 (2013) e67680, <https://doi.org/10.1371/journal.pone.0067680>.
- [61] K.D. Foust, E. Nurre, C.L. Montgomery, A. Hernandez, C.M. Chan, B.K. Kaspar, Intravascular AAV9 preferentially targets neonatal neurons and adult astrocytes, *Nat. Biotechnol.* 27 (2009) 59–65, <https://doi.org/10.1038/nbt.1515>.
- [62] M. Kaul, G.A. Garden, S.A. Lipton, Pathways to neuronal injury and apoptosis in HIV-associated dementia, *Nature*. 410 (2001) 988–994, <https://doi.org/10.1038/35073667>.
- [63] R.W. Doms, D. Trono, The plasma membrane as a combat zone in the HIV battlefield, *Genes Dev.* 14 (2000) 2677–2688, <https://doi.org/10.1101/gad.833300>.
- [64] T.S.P. Heng, M.W. Painter, K. Elpek, V. Lukacs-Kornek, N. Mauermann, S.J. Turley, D. Koller, F.S. Kim, A.J. Wagers, N. Asinovski, S. Davis, M. Fassett, M. Feuerer, D.H.D. Gray, S. Haxhinasto, J.A. Hill, G. Hyatt, C. Laplace, K. Leatherbee, D. Mathis, C. Benoist, R. Jianu, D.H. Laidlaw, J.A. Best, J. Knell, A.W. Goldrath, J. Jarjoura, J.C. Sun, Y. Zhu, L.L. Lanier, A. Ergun, Z. Li, J.J. Collins, S.A. Shinton, R.R. Hardy, R. Friedline, K. Sylvia, J. Kang, The Immunological Genome Project: networks of gene expression in immune cells, *Nat. Immunol.* 9 (2008) 1091–1094, <https://doi.org/10.1038/ni1008-1091>.
- [65] S. Siegert, E. Cabuy, B.G. Scherf, H. Kohler, S. Panda, Y.Z. Le, H.J. Fehling, D. Gaidatzis, M.B. Stadler, B. Roska, Transcriptional code and disease map for adult retinal cell types, *Nat. Neurosci.* 15 (2012) 487–495, <https://doi.org/10.1038/nn.3032>.
- [66] C. Summerford, J.S. Bartlett, R.J. Samulski, $\alpha V\beta 5$ integrin: a co-receptor for adeno-associated virus type 2 infection, *Nat. Med.* 5 (1999) 78–82, <https://doi.org/10.1038/4768>.
- [67] A. Asokan, J.B. Hamra, L. Govindasamy, M. Agbandje-McKenna, R.J. Samulski, Adeno-associated virus type 2 contains an integrin 5 1 binding domain essential for viral cell entry, *J. Virol.* 80 (2006) 8961–8969, <https://doi.org/10.1128/JVI.00843-06>.
- [68] Y. Kashiwakura, K. Tamayose, K. Iwabuchi, Y. Hirai, T. Shimada, K. Matsumoto, T. Nakamura, M. Watanabe, K. Oshimi, H. Daida, Hepatocyte growth factor receptor is a coreceptor for adeno-associated virus type 2 infection, *J. Virol.* 79 (2005) 609–614, <https://doi.org/10.1128/JVI.79.1.609-614.2005>.
- [69] S. Pillay, N.L. Meyer, A.S. Puschnik, O. Davulcu, J. Diep, Y. Ishikawa, L.T. Jae, J.E. Wosen, C.M. Nagamine, M.S. Chapman, J.E. Carette, An essential receptor for adeno-associated virus infection, *Nature*. 530 (2016) 108–112, <https://doi.org/10.1038/nature16465>.
- [70] K. Qing, C. Mah, J. Hansen, S. Zhou, V. Dwarki, A. Srivastava, Human fibroblast growth factor receptor 1 is a co-receptor for infection by adeno-associated virus 2, *Nat. Med.* 5 (1999) 71–77, <https://doi.org/10.1038/4758>.
- [71] Z. Wu, E. Miller, M. Agbandje-McKenna, R.J. Samulski, O.G. Kozyreva, R.J. Samulski, K.N. Parent, T.S. Baker, M. Agbandje-McKenna, 2,3 and 2,6 N-Linked sialic acids facilitate efficient binding and transduction by adeno-associated virus types 1 and 6, *J. Virol.* 80 (2006) 9093–9103, <https://doi.org/10.1128/JVI.00895-06>.
- [72] R. Ng, L. Govindasamy, B.L. Gurda, R. McKenna, O.G. Kozyreva, R.J. Samulski, K.N. Parent, T.S. Baker, M. Agbandje-McKenna, Structural characterization of the dual glycan binding adeno-associated virus serotype 6, *J. Virol.* 84 (2010) 12945–12957, <https://doi.org/10.1128/JVI.01235-10>.
- [73] L.-Y. Huang, A. Patel, R. Ng, E.B. Miller, S. Halder, R. McKenna, A. Asokan, M. Agbandje-McKenna, Characterization of the adeno-associated virus 1 and 6 sialic acid binding site, *J. Virol.* 90 (2016) 5219–5230, <https://doi.org/10.1128/JVI.00161-16>.
- [74] L.Y. Huang, S. Halder, M. Agbandje-McKenna, Parvovirus glycan interactions, *Curr. Opin. Virol.* 7 (2014) 108–118, <https://doi.org/10.1016/j.coviro.2014.05.007>.
- [75] S.L. Boye, A. Bennett, M.L. Scalabrino, K.T. McCullough, K. Van Vliet, S. Choudhury, Q. Ruan, J. Peterson, M. Agbandje-McKenna, S.E. Boye, Impact of heparan sulfate binding on transduction of Retina by recombinant adeno-associated virus vectors, *J. Virol.* 90 (2016) 4215–4231, <https://doi.org/10.1128/JVI.00200-16>.
- [76] J.A. Sullivan, L.M. Stanek, M.J. Lukason, J. Bu, S.R. Osmond, E.A. Barry, C.R. O'Riordan, L.S. Shihabuddin, S.H. Cheng, A. Scaria, Rationally designed AAV2 and AAVrh8R capsids provide improved transduction in the retina and brain, *Gene Ther.* 25 (2018) 205–219, <https://doi.org/10.1038/s41434-018-0017-8>.
- [77] J. Mercer, U.F. Greber, Virus interactions with endocytic pathways in macrophages and dendritic cells, *Trends Microbiol.* 21 (2013) 380–388, <https://doi.org/10.1016/j.tim.2013.06.001>.
- [78] C. Borsotti, E. Borroni, A. Follenzi, Lentiviral vector interactions with the host cell, *Curr. Opin. Virol.* 21 (2016) 102–108, <https://doi.org/10.1016/j.coviro.2016.08.016>.
- [79] H. Kettenmann, U.-K. Hanisch, M. Noda, A. Verkhratsky, Physiology of microglia, *Physiol. Rev.* 91 (2011) 461–553, <https://doi.org/10.1152/physrev.00011.2010>.
- [80] P.D. Wes, I.R. Holtman, E.W.G.M. Boddeke, T. Möller, B.J.L. Eggen, Next generation transcriptomics and genomics elucidate biological complexity of microglia in health and disease, *Glia* 64 (2016) 197–213, <https://doi.org/10.1002/glia.22866>.
- [81] B.A. Friedman, K. Srinivasan, G. Ayalon, W.J. Meilandt, H. Lin, M.A. Huntley, Y. Cao, S.H. Lee, P.C.G. Haddick, H. Ngu, Z. Modrusan, J.L. Larson, J.S. Kaminker, M.P. van der Brug, D.V. Hansen, Diverse brain myeloid expression profiles reveal

- distinct microglial activation states and aspects of alzheimer's disease not evident in mouse models, *Cell Rep.* 22 (2018) 832–847, <https://doi.org/10.1016/j.celrep.2017.12.066>.
- [82] D. Davalos, J. Grutzendler, G. Yang, J.V. Kim, Y. Zuo, S. Jung, D.R. Littman, M.L. Dustin, W.B. Gan, ATP mediates rapid microglial response to local brain injury in vivo, *Nat. Neurosci.* 8 (2005) 752–758, <https://doi.org/10.1038/nn1472>.
- [83] L.R. Belur, A. Temme, K.M. Podetz-Pedersen, M. Riedl, L. Vulchanova, N. Robinson, L.R. Hanson, K.F. Kozarsky, P.J. Orchard, W.H. Frey, W.C. Low, R.S. McIvor, Intranasal adeno-associated virus mediated gene delivery and expression of human iduronidase in the central nervous system: a noninvasive and effective approach for prevention of neurologic disease in mucopolysaccharidosis type I, *Hum. Gene Ther.* 28 (2017) 576–587, <https://doi.org/10.1089/hum.2017.187>.
- [84] V. Simon, N. Bloch, N.R. Landau, Intrinsic host restrictions to HIV-1 and mechanisms of viral escape, *Nat. Immunol.* 16 (2015) 546–553, <https://doi.org/10.1038/ni.3156>.
- [85] T. Doyle, C. Goujon, M.H. Malim, HIV-1 and interferons: Who's interfering with whom? *Rev. Nat. Microbiol.* 13 (2015) 403–413, <https://doi.org/10.1038/nrmicro3449>.
- [86] J.S. Bartlett, R. Wilcher, R.J. Samulski, Infectious entry pathway of adeno-associated virus and adeno-associated virus vectors, *J. Virol.* 74 (2000) 2777–2785, <https://doi.org/10.1128/JVI.74.6.2777-2785.2000>.
- [87] G.E. Berry, A. Asokan, Cellular transduction mechanisms of adeno-associated viral vectors, *Curr. Opin. Virol.* 21 (2016) 54–60, <https://doi.org/10.1016/j.coviro.2016.08.001>.
- [88] J. Wang, S.M. Faust, J.E. Rabinowitz, The next step in gene delivery: molecular engineering of adeno-associated virus serotypes, *J. Mol. Cell. Cardiol.* 50 (2011) 793–802, <https://doi.org/10.1016/j.yjmcc.2010.10.017>.
- [89] B.R. Schultz, J.S. Chamberlain, Recombinant adeno-associated virus transduction and integration, *Mol. Ther.* 16 (2008) 1189–1199, <https://doi.org/10.1038/mt.2008.103>.
- [90] J.M. Kelich, J. Ma, B. Dong, Q. Wang, M. Chin, C.M. Magura, W. Xiao, W. Yang, Super-resolution imaging of nuclear import of adeno-associated virus in live cells, *Mol. Ther. - Methods Clin. Dev.* 2 (2015) 15047, <https://doi.org/10.1038/mtm.2015.47>.
- [91] V. Leuci, G. Mesiano, L. Gammaitoni, C. Cammarata, S. Capellero, M. Todorovic, N. Jordaney, P. Circosta, A. Elia, M. Lesnikova, G.E. Georges, W. Piacibello, F. Fagioli, A. Cignetti, M. Aglietta, D. Sangiolo, Transient proteasome inhibition as a strategy to enhance lentiviral transduction of hematopoietic CD34 + cells and T lymphocytes: implications for the use of low viral doses and large-size vectors, *J. Biotechnol.* 156 (2011) 218–226, <https://doi.org/10.1016/j.jbiotec.2011.09.001>.
- [92] Z. Yan, R. Zak, G.W.G. Luxton, T.C. Ritchie, U. Bantel-Schaal, J.F. Engelhardt, Ubiquitination of both adeno-associated virus type 2 and 5 capsid proteins affects the transduction efficiency of recombinant vectors, *J. Virol.* (2002), <https://doi.org/10.1128/jvi.76.5.2043-2053.2002>.
- [93] A.M. Mitchell, R.J. Samulski, Mechanistic insights into the enhancement of adeno-associated virus transduction by proteasome inhibitors, *J. Virol.* 87 (2013) 13035–13041, <https://doi.org/10.1128/JVI.01826-13>.
- [94] S.S. Rabinowitz, S. Gordon, Macrosialin, a macrophage-restricted membrane sialoprotein differentially glycosylated in response to inflammatory stimuli, *J. Exp. Med.* 174 (1991) 827–836, <https://doi.org/10.1084/jem.174.4.827>.
- [95] T.F. Galatro, I.R. Holtman, A.M. Lerario, I.D. Vainchtein, N. Brouwer, P.R. Sola, M.M. Veras, T.F. Pereira, R.E.P. Leite, T. Müller, P.D. Wes, M.C. Sogayar, J.D. Laman, W. den Dunnen, C.A. Pasqualucci, S.M. Oba-Shinjo, E.W.G.M. Boddeke, S.K.N. Marie, B.J.L. Eggen, Transcriptomic analysis of purified human cortical microglia reveals age-associated changes, *Nat. Neurosci.* (2017), <https://doi.org/10.1038/nn.4597>.
- [96] T.R. Hammond, C. Dufort, L. Dissing-Olesen, S. Giera, A. Young, A. Wysoker, A.J. Walker, F. Gergits, M. Segel, J. Nemes, S.E. Marsh, A. Saunders, E. Macosko, F. Ginhoux, J. Chen, R.J.M. Franklin, X. Piao, S.A. McCarroll, B. Stevens, Single-cell RNA sequencing of microglia throughout the mouse lifespan and in the injured brain reveals complex cell-state changes, *Immunity.* (2018), <https://doi.org/10.1016/j.immuni.2018.11.004>.
- [97] M.S. Thion, D. Low, A. Silvin, J. Chen, P. Grisel, J. Schulte-Schrepping, R. Blecher, T. Ulas, P. Squarzone, G. Hoeffel, F. Couplier, E. Siopi, F.S. David, C. Scholz, F. Shihui, J. Lum, A.A. Amoyo, A. Larbi, M. Poidinger, A. Buttgerit, P.M. Lledo, M. Greter, J.K.Y. Chan, I. Amit, M. Beyer, J.L. Schultze, A. Schlitzer, S. Pettersson, F. Ginhoux, S. Garel, Microbiome influences prenatal and adult microglia in a sex-specific manner, *Cell.* 172 (2018) 500–516, <https://doi.org/10.1016/j.cell.2017.11.042> e16.
- [98] V.M. Link, S.H. Duttke, H.B. Chun, I.R. Holtman, E. Westin, M.A. Hoeksema, Y. Abe, D. Skola, C.E. Romanoski, J. Tao, G.J. Fonseca, T.D. Troutman, N.J. Spann, T. Strid, M. Sakai, M. Yu, R. Hu, R. Fang, D. Metzler, B. Ren, C.K. Glass, Analysis of genetically diverse macrophages reveals local and domain-wide mechanisms that control transcription factor binding and function, *Cell* 173 (2018) 1796–1809, <https://doi.org/10.1016/j.cell.2018.04.018> e17.
- [99] A. Saunders, B.L. Sabatini, Cre activated and inactivated recombinant adeno-associated viral vectors for neuronal anatomical tracing or activity manipulation, *Curr. Protoc. Neurosci.* 2015 (2015), <https://doi.org/10.1002/0471142301.ns0124s72.1.24.1-1.24.15>.
- [100] S. Yona, K.-W. Kim, Y. Wolf, A. Mildner, D. Varol, M. Breker, D. Strauss-Ayali, S. Viukov, M. Williams, A. Misharin, D.A. Hume, H. Perlman, B. Malissen, E. Zelzer, S. Jung, Fate mapping reveals origins and dynamics of monocytes and tissue macrophages under homeostasis, *Immunity.* 38 (2013) 79–91, <https://doi.org/10.1016/j.immuni.2012.12.001>.
- [101] O. Matcovitch-Natan, D.R. Winter, A. Giladi, S.V. Aguilar, A. Spinrad, S. Sarrazin, H. Ben-Yehuda, E. David, F.Z. González, P. Perrin, H. Keren-Shaul, M. Gury, D. Lara-Astaiso, C.A. Thaiss, M. Cohen, K.B. Halpern, K. Baruch, A. Deczkowska, E. Lorenzo-Vivas, S. Itzkovitz, E. Elinav, M.H. Sieweke, M. Schwartz, I. Amit, Microglia development follows a stepwise program to regulate brain homeostasis, *Science* (80-) 353 (2016), <https://doi.org/10.1126/science.aad8670>.
- [102] C.N. Parkhurst, G. Yang, I. Ninan, J.N. Savas, J.R. Yates, J.J. Lafaille, B.L. Hempstead, D.R. Littman, W.B. Gan, Microglia promote learning-dependent synapse formation through brain-derived neurotrophic factor, *Cell.* 155 (2013) 1596–1609, <https://doi.org/10.1016/j.cell.2013.11.030>.
- [103] A. Saunders, C.A. Johnson, B.L. Sabatini, Novel recombinant adeno-associated viruses for Cre activated and inactivated transgene expression in neurons, *Front. Neural Circuits* 6 (2012), <https://doi.org/10.3389/fncir.2012.00047>.
- [104] R.H. Smith, Adeno-associated virus integration: virus versus vector, *Gene Ther.* 15 (2008) 817–822, <https://doi.org/10.1038/gt.2008.55>.
- [105] Y. Gong, D. Mu, S. Prabhakar, A. Moser, P. Musolino, J.Q. Ren, X.O. Breakefield, C.A. Maguire, F.S. Eichler, Adenoassociated virus serotype 9-mediated gene therapy for X-linked adrenoleukodystrophy, *Mol. Ther.* 23 (2015) 824–834, <https://doi.org/10.1038/mt.2015.6>.